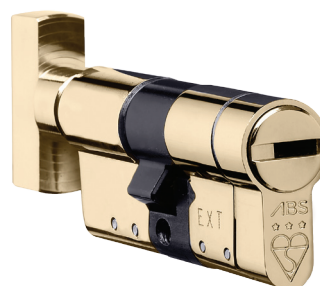


ABS is the highest accredited lock on the market with unique and effective snap secure technology.

ABS is a retro-fit euro cylinder with the Master Locksmith Association's SS312 Sold Secure Diamond rating†, TS007 3 star rating, British Kitemark and Secured by Design accreditation.

ABS is proven in the market to effectively combat against lock snapping and forced entry methods of attack.

- SS312 Sold Secure Diamond Grade
- 3 Star British Kitemark - TS007:2014 (KM 586135)
- Secured by Design Accredited (Police preferred specification)
- Patented Snap Secure Technology
- Pick, Drill & Bump Resistant
- Pin-in-Pin and magnetic pin technology
- 6 Trap Pins for advance pick resistance
- 16 Anti-drill pins
- Double, single and thumbturn formats available
- Three keys per cylinder
- Secure online key registering
- Keyed alike key/key pairs are available ex stock
- Key alike with ABS euro cylinders, Rim cylinders & padlocks



Single "Half" cylinder format for garage locks or external only locking.



Technical Information

Assessment Data

Tested to and achieved: BS EN 1303:2005, BS 3621:2007, PAS 24:2007, TS007:2007:2014 - 3 STAR, SS312 Sold Secure Diamond grade

Corrosion resistance: Meets requirements of BS EN 1670:2007

Material Specifications

Coating Details: Polished Brass & Polished Chrome Plated

Additional Information

Pins: 8 + 1 magnetic

Anti Drill Pins: 16 (6 within barrel, 10 within plug)

Trap Pins: 6 - for advanced pick resistance

Keys: Supplied with 3 keys per cylinder

Available in sizes from 30-60mm in 5mm increments for both internal and external parts of the cylinder.

* 30mm size barrels do not have a kitemark due to reduced key combinations to 30,000. 30mm cylinders do not have a snap off line due to the size. A 30mm ABS lock snaps off at the sacrificial point in front of the cam, this ensures that an intruder cannot gain access into the lock case in the same way as all other ABS locks.

Please note: 35mm cylinders have an additional cut line - this is for access to a fixing within the cylinder and is not an additional snap line.

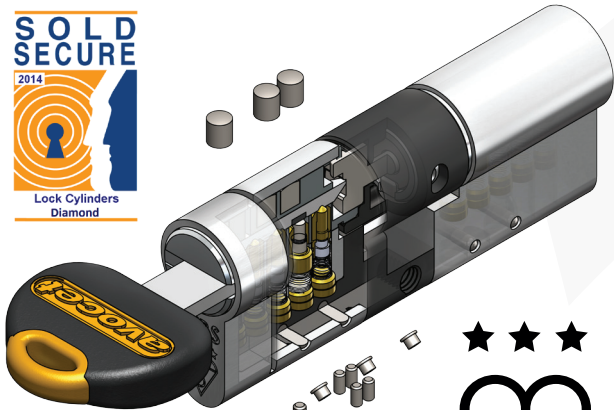
All ABS locks above 30mm have 2 sacrificial sections and the patented locking cam which effectively combats against lock snapping.

† ABS is the only euro cylinder to have successfully passed the robust tests of the SS312 Sold Secure Diamond standard continually since the standard was introduced in 2010. Visit www.soldsecure.com for more information.

3 keys & security code card as standard

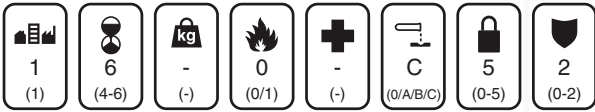


ABS TS007 3 STAR & DIAMOND RATED EURO CYLINDER - DIMENSIONS



Tested to BS EN1303:2005/TS007:2014/BS3621/GVA.

BS EN 1303:2005 Classification



TS007:2014

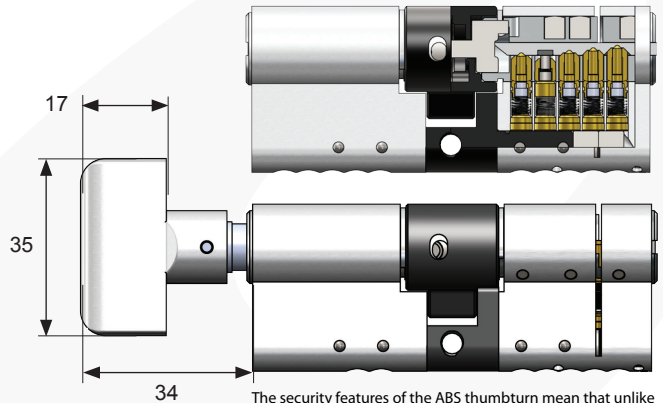
The ABS euro profile cylinder has been designed to provide maximum resistance against known methods of attack.

TS007 is a standard developed in response to concerns over cylinder attacks. The standard is characterised by a 3 star rating system, and can be achieved by combining a 1 star cylinder with a 2 star security door furniture solution.

The Avocet ABS lock has a maximum 3 star rating and will retro-fit without the need for additional security hardware.

- Snap Secure
- Anti-drill
- Anti-bump
- Anti-pick
- Anti-screw
- Cam capture technology
- Secure key registering
- Retro-fit

ABS features the unique patented locking cam that effectively combats against lock snapping.



The security features of the ABS thumbturn mean that unlike most locks with a floating cam it cannot be bypassed with a wire or easily opened after a snapping attack.

To operate - push to engage the thumbturn, and turn 360°. The thumbturn must pop back out to the "Click Secure" position before closing the door.

