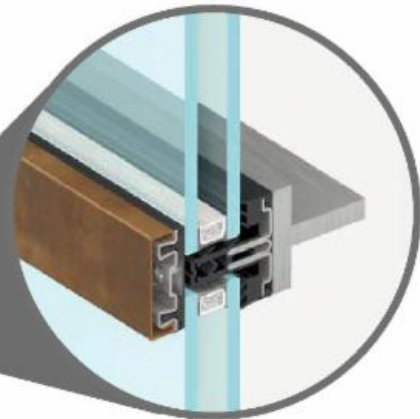
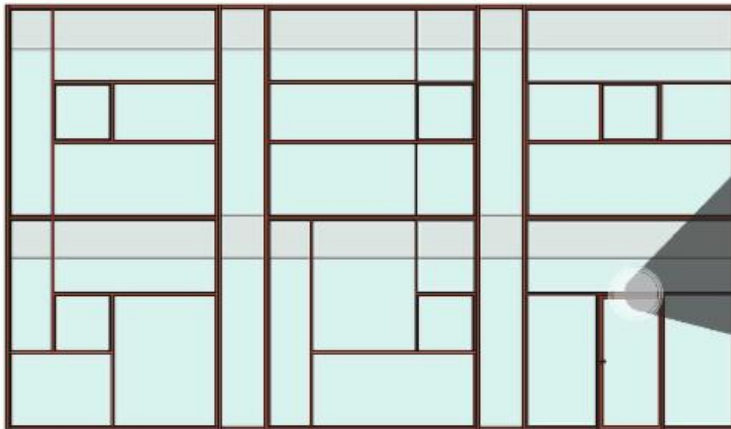


THERMALLY BROKEN STEEL USA

HAPPY  
*New Year*  
2016



New Year means a **NEW**  
Thermally Broken Steel Curtain Wall System!

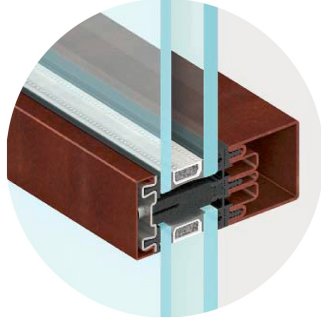


DESIGNED TO EXPAND  
YOUR **VIEWS**.

ENGINEERED TO ENHANCE  
YOUR **COMFORT**.

4F<sub>1</sub>

4F<sub>2</sub>



The 4F1 steel Curtain Wall system is the ideal solution for large glass walls that require extremely narrow sections and meet strict thermal and structural building requirements.



Utilized in conjunction with the 4F1 system, the adaptive 4F2 steel Curtain Wall yields the ability to combine numerous load-bearing structures, thus opening the door to vast architectural creativity.

---

Large glass walls, also referred to as Curtain Walls, have become a hallmark of city style architecture and residential design where access to **natural light and abundant views** are desired. For more information on how our steel Curtain Wall solutions can benefit your project, *click the links provided below.*

[Download Brochure](#)

[Visit Product Page](#)

## 2015 was a **HUGE** Year! Here's why...

The **HTS Series** raised the bar for steel windows & doors *worldwide.*

Originating from the root phrase; “**H**istorical **T**hermal **S**teel”, the HTS steel window and door series is the innovative successor to the W20 frame series. It maintains all of the durability and design flexibility but with tremendous thermal performance.

[Download the Data Sheet](#)



### All **NEW Website** is public!

Our new website has been an ongoing development for a while now and, although we are continuously improving and updating it, we are thrilled to announce that is now available to the public. We encourage you to provide us with any feedback you have.

[Click here to browse our NEW Website](#)

---

## 2015 Product Catalog now available.

The 2015 COMEP USA Product Catalog has been completely transformed and now includes all new products, technical details, hardware options and much more! Use the link below to download and view it today.



[Download the 2015 Product Catalog](#)

## Why consider TBS for 2016? Well...



### Incomparable Thermal Efficiency!

Thermally Broken technology paired with the highest quality glass and glazing services yield unmatched thermal performance.



### Narrowest Sight-lines

As a result of steel's natural durability, we are able to offer some of the narrowest sight-lines in the window and door business.



### We Glaze Once, Right the First Time

Ever experience doors or windows that sagged or leaked due to poor glazing? With our professional factory glazing, you won't have to worry.



### Budgets are Important to us

Because steel windows and doors are considered a bit of a niche, budgets are commonly overlooked. At TBS, we promise that is not the case.



### Reliable Service is our Mission

The TBS business model is -first and foremost- built on providing a service that is tailored to the needs of our clients. From scheduling to design, budgeting and engineering, we provide the ultimate service.



### Cinematic Videography & Photography

By seamlessly integrating our Steadicam with state-of-the-art Aerial technology, we are able to capture and showcase your project like never before.

[Learn more here..](#)

## 2015 Conclusion Remarks

*To say the least, 2015 was a big year for*

*TBS. For this, we want to extend a huge THANK YOU to all of our clients and supporters. The positive response we have received in 2015 will be directly reflected in the new and improved products and services we have in the works for 2016! God Bless.*



**Justin Grebasch / President & CEO**

- FOLLOW US & STAY CONNECTED -

#TBS\_USA @tbs.usa



---

*Feel free to forward this email to a friend, family member or colleague.*