

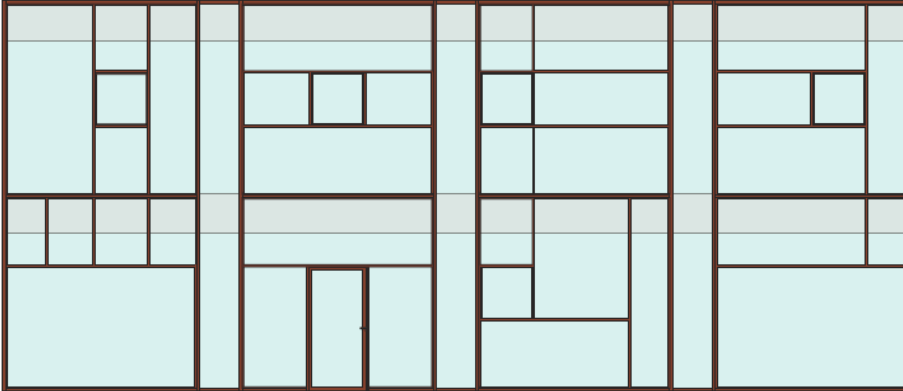
REVERENCE

for small details...



CURTAIN WALL

UNLIMITED INTERGRATION



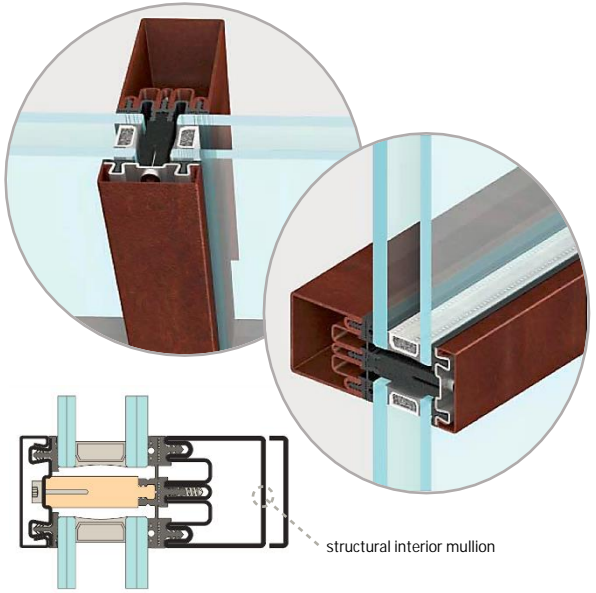
...in windows
that are

LARGER THAN
life.



NEW

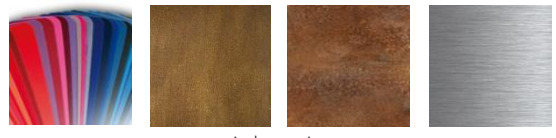
4f1



structural interior mullion

The 4f1 series is a revolutionary system which offers *extremely narrow thermally broken sections* for structural applications seeking the utmost *aesthetic elegance*.

MATERIALS.



cover material options



mullion material options



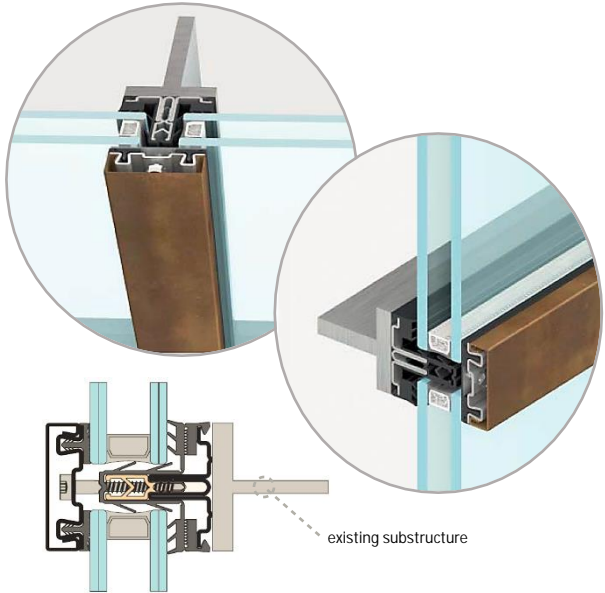
100mm (3.94")
mullion



50mm (1.97")
mullion

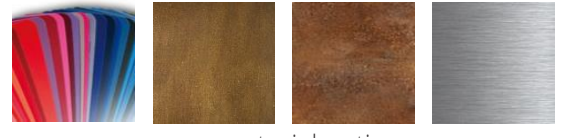
NEW

4f2

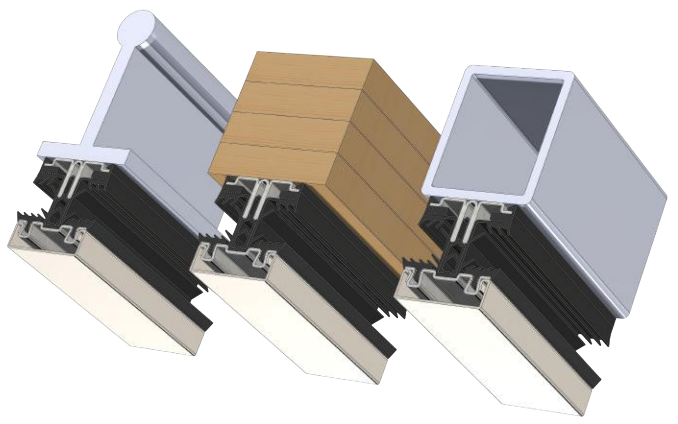


existing substructure

The 4f2 series is the designer's dream in that it offers *endless combination and customization opportunities* when paired with any existing load bearing substructure. Whether it be wood, HSS columns, or any other structural member, the 4f2 series is designed for full adaptability.



cover material options



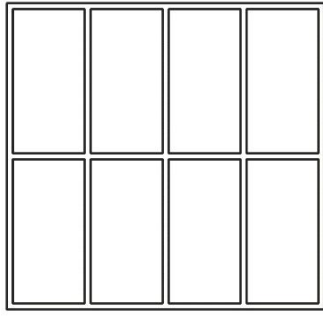
*4f2 can be mounted to nearly any structural element. Consult your specific condition with TBS for a custom solution.

4F1 & 4F2

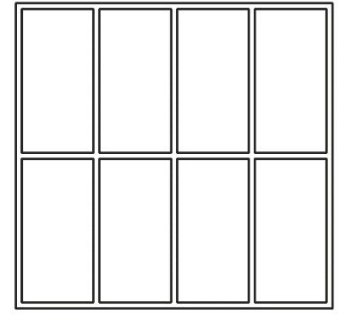
BENEFITS.

- Allows for custom integration between all of our window, door, and curtain wall systems
- Tested in the most demanding conditions
- Narrower sight-line & increased durability
- 100% Thermally Broken system
- Superior material and finish options

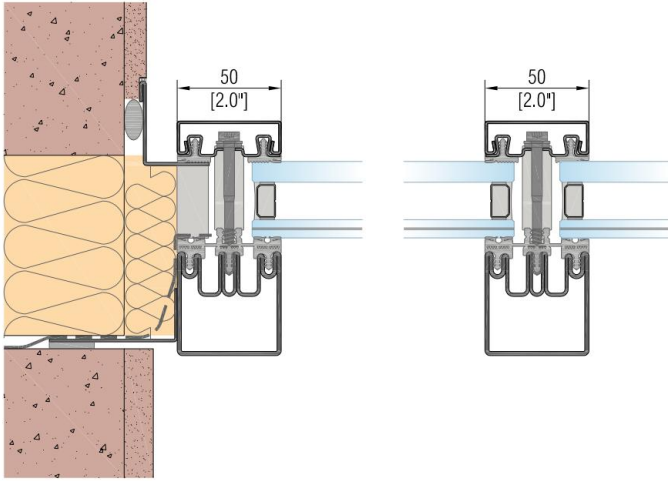
4f1



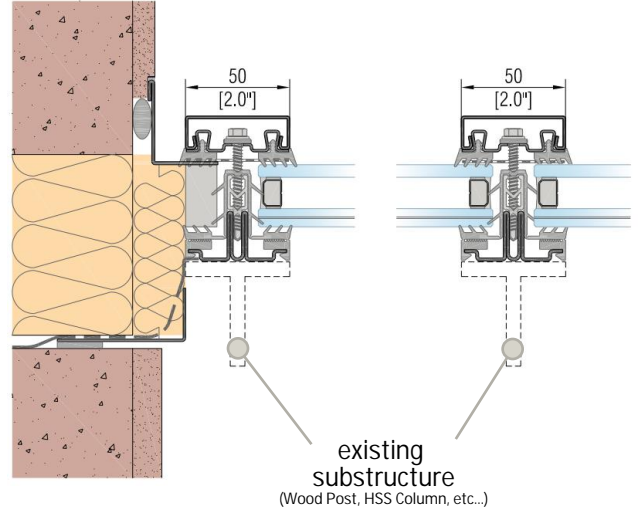
4f2



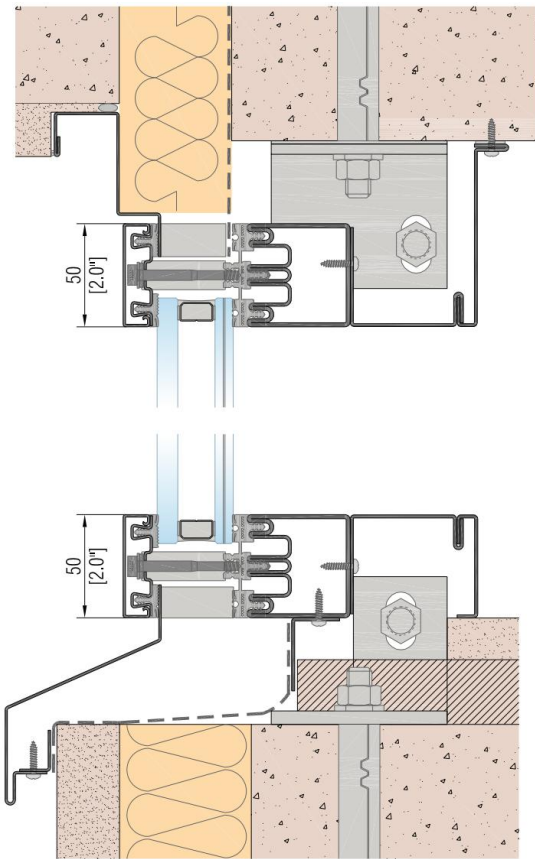
horizontal section



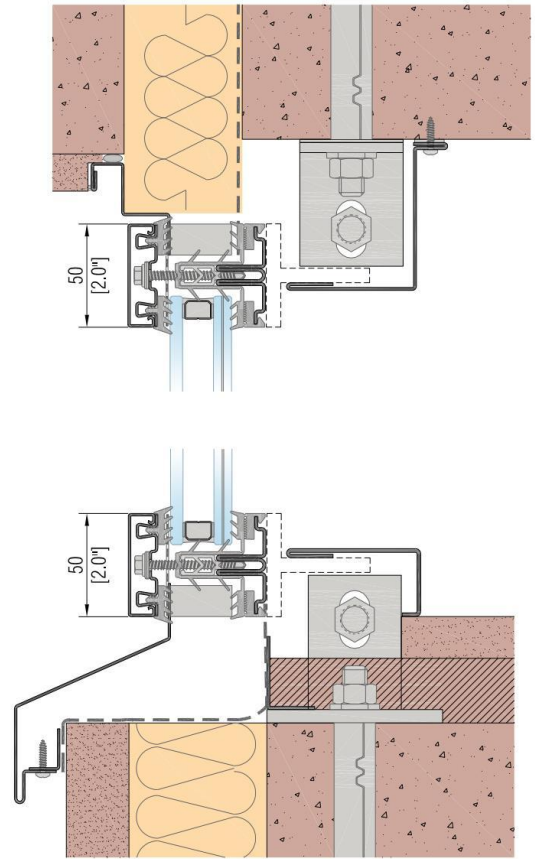
horizontal section



vertical section



vertical section



endless
VERSATILITY.



T H E R M A L L Y B R O K E N S T E E L U S A

THERMALLYBROKENSTEELUSA.COM

#TBS_USA / @TBS_USA

f in     t

