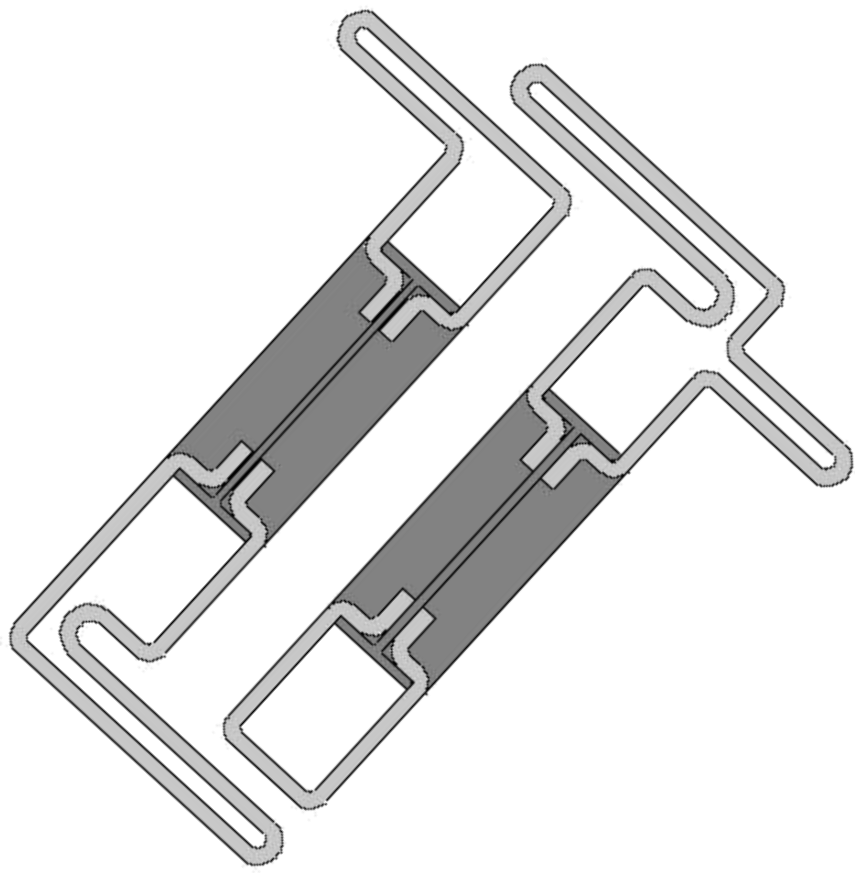
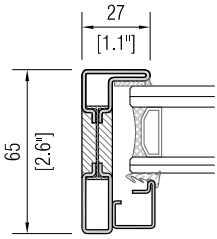


OS2

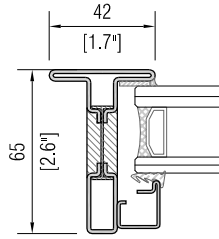
FRAME SERIES



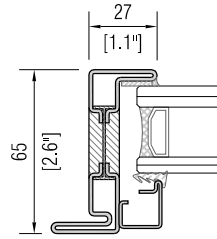
DIRECT FIXED



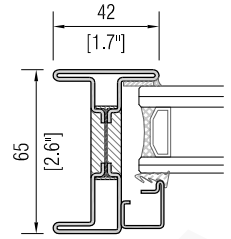
P.2851



P.2852

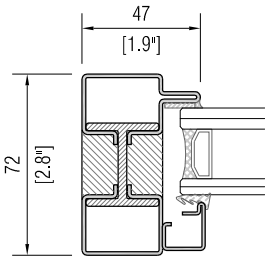


P.2853

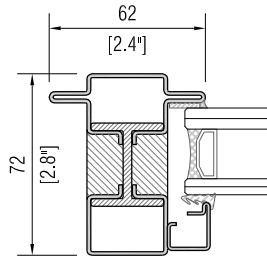


P.2855

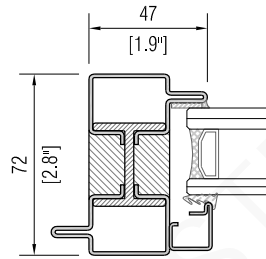
FIXED WINDOW



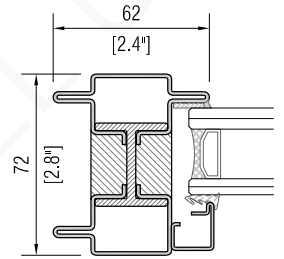
P.2891



P.2892

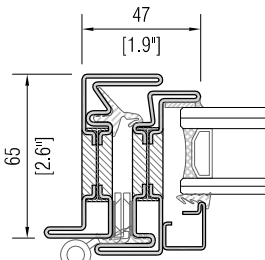


P.2893

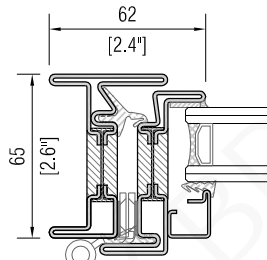


P.2895

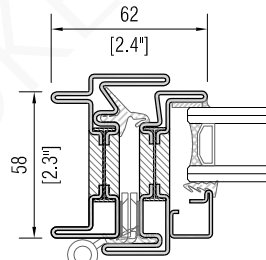
INSWING WINDOW AND DOOR



P.2803 - P.2833

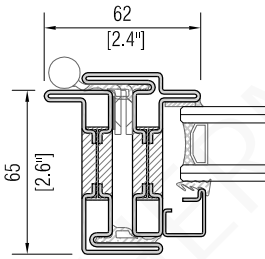


P.2805 - P.2833

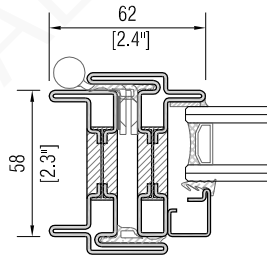


P.2815 - P.2833

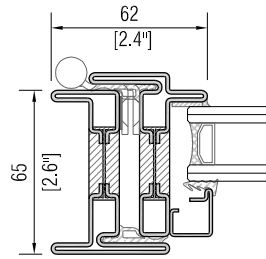
OUTSWING WINDOW AND DOOR | Stepped



P.2863 - P.2862

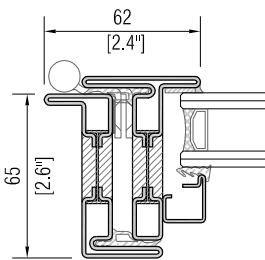


P.2865 - P.2862

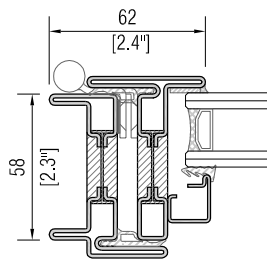


P.2885 - P.2862

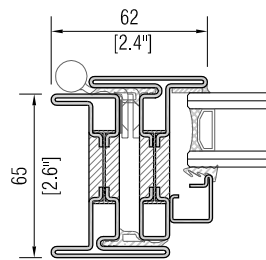
OUTSWING WINDOW AND DOOR | Flush



P.2863 - P.2882

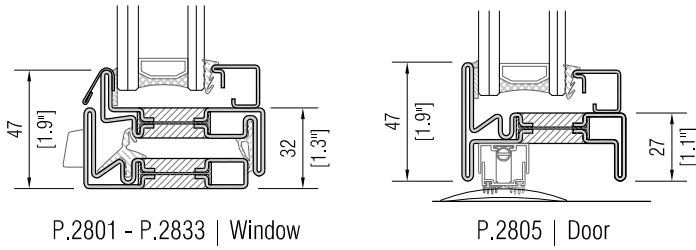


P.2865 - P.2882

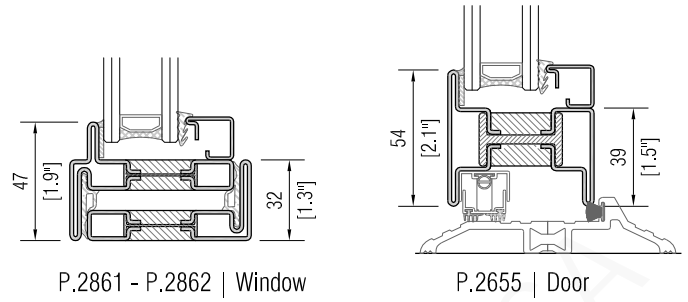


P.2885 - P.2882

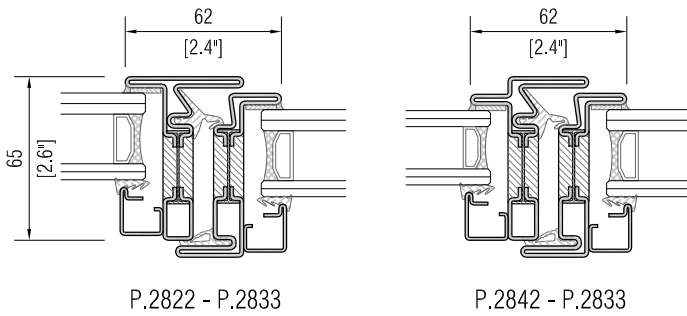
SILL DETAILS | Inswing



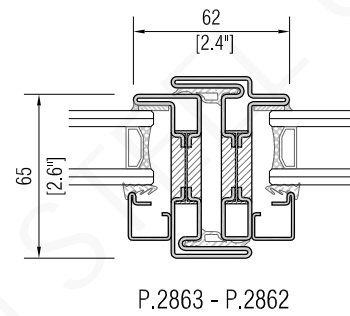
SILL DETAILS | Outswing



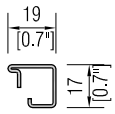
OPERABLE NEXT TO FIXED | Inswing



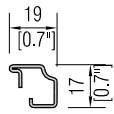
OPERABLE NEXT TO FIXED | Outswing



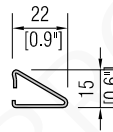
GLAZING BEADS



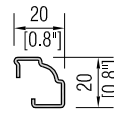
P.2607 | Regular



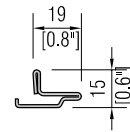
P.2627 | Grooved



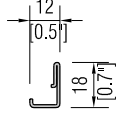
P.2629 | Sloped



P.2028 | Gothic

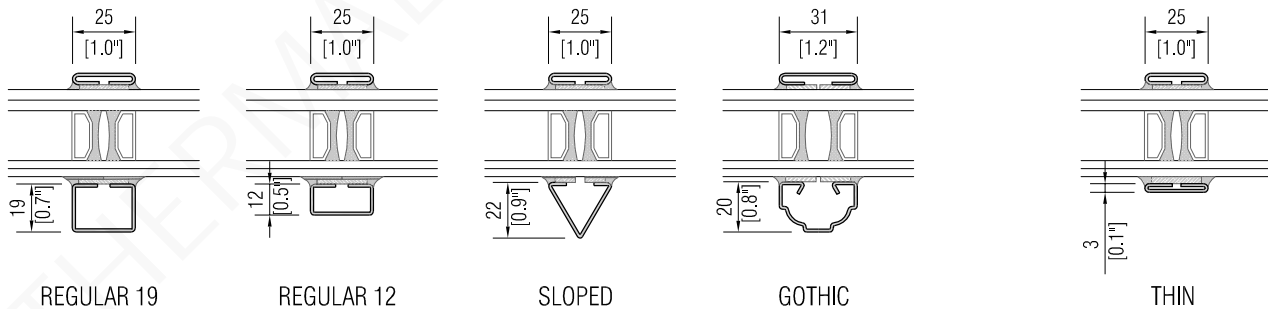


P.2638 | Thin

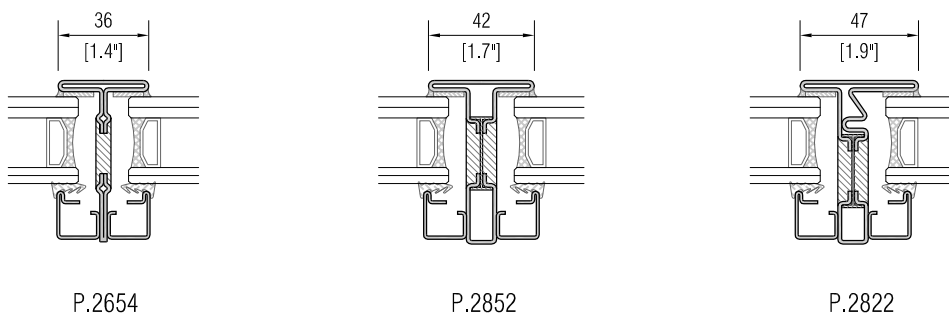


HTS 6010 | J

SDL | Simulated Divided Lites



TDL | True Divided Lites



T H E R M A L L Y B R O K E N S T E E L U S A



VISIONARY INNOVATORS

CAPTURING THE WORLD'S MOST

luxurious portrait.