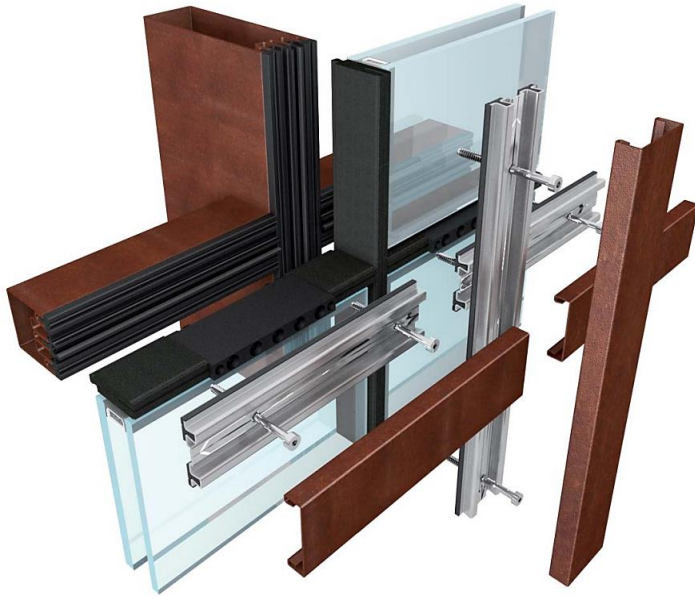




# 4F1

FRAME SERIES



## > 4F1 Curtain Wall

Characteristic	Standards	Class	Assessment of Classification
<b>Air Permeability</b>	BS EN 12153 (Test)	AE	Airtight up to pressure of 1200 Pa (25.08 psf)
	BS EN 12007 (Classification)		Airtight up to wind speed of 159.29 km/h (98.98 mph)
<b>Watertightness</b>	BS EN 12154 (Test)		
	Static → BS EN 12154 (Classification)	RE1500	Maximum Static Pressure → 1500 Pa (31.4 psf)
	Dynamic → BS EN 13050 (Classification)	250	Minimum Dynamic Pressure → 250 Pa (5.23 psf)
	Dynamic → BS EN 13050 (Classification)	750	Maximum Dynamic Pressure → 750 Pa (15.68 psf)
<b>Wind Load Resistance (DP)</b>	BS EN 12179 (Test)		Design Load → $\pm 2.0 \text{ kN/m}^2$
	BS EN 13116 (Classification)		Safety Load → $\pm 3.0 \text{ kN/m}^2$
<b>Impact Resistance</b>	BS 8200 (Test)	I5	Above zone of normal impacts from people and not exposed to impact from thrown or kicked objects.
	E → External / I → Internal EN 14019 (Classification)	E5	
<b>Acoustic Insulation Performance **</b> Rw → Weighted Sound Reduction Index	EN ISO 717-1:2007		Rw with Single Pane Glass → TBD
			Rw with Dual Pane (IGU) Glass → TBD
<b>Thermal Transmittance (U-value) **</b> Ut → Frame Thermal Transmittance	BS EN ISO 10077-1:2006		Ut → 0.80 W/m <sup>2</sup> K
	BS EN ISO 10077-2:2012		Ut → 0.14 BTU/ft <sup>2</sup> h°F
<b>Visual Transmittance **</b>	ANSI/NFRC 100-2014		VT → TBD
<b>Solar Heat Gain Coefficient **</b>	ANSI/NFRC 100-2014		SHGC → TBD

Test Unit Type: All Fixed (no mullions)

\* Averaged Value

\*\* Dependent on Glass and Glazing Type



T H E R M A L L Y   B R O K E N   S T E E L   U S A

---



[THERMALLYBROKENSTEELUSA.COM](http://THERMALLYBROKENSTEELUSA.COM)

#TBS\_USA / @TBS\_USA

